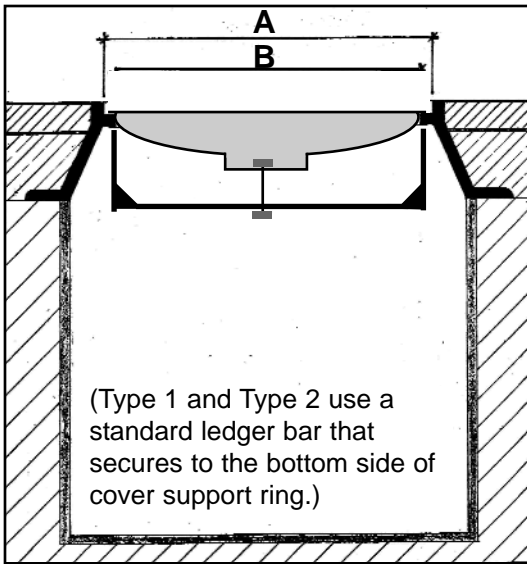


# Manhole Frame Worksheet

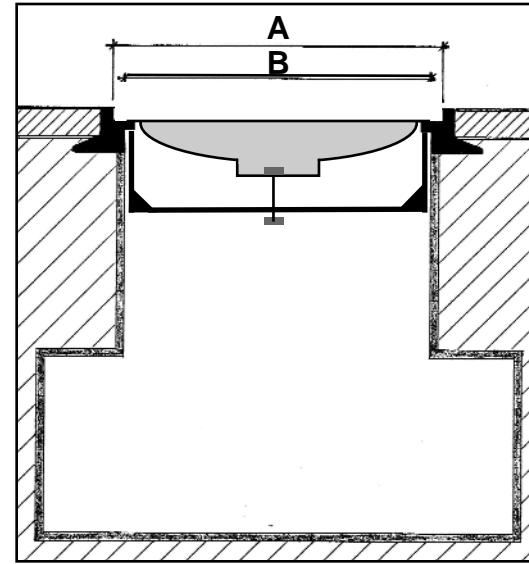
1. Select drawing that most closely matches manhole for LockDown installation.
2. Record dimensions in inches.



TYPE 1

A \_\_\_\_\_

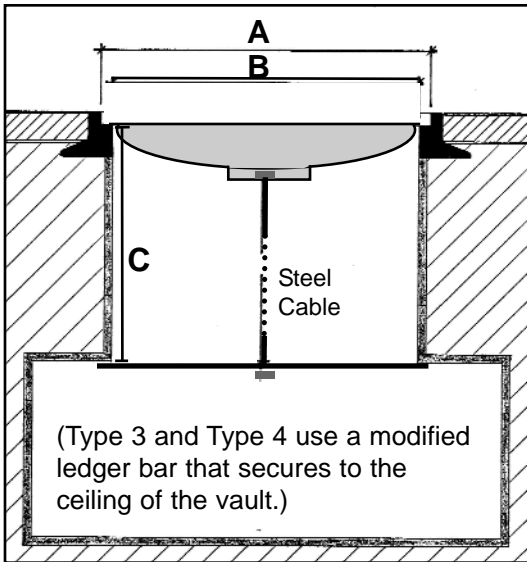
B \_\_\_\_\_



TYPE 2

A \_\_\_\_\_

B \_\_\_\_\_

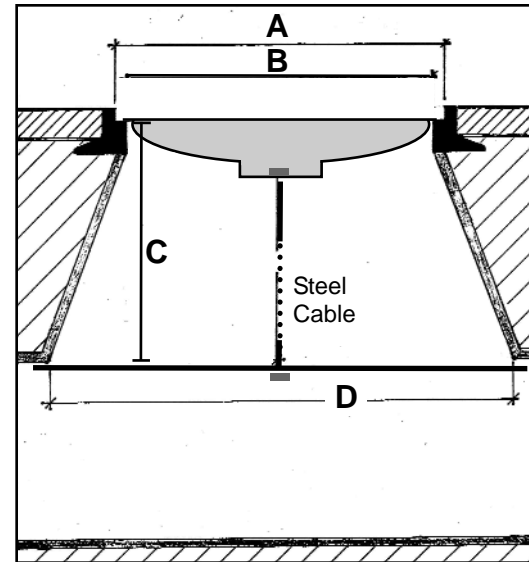


TYPE 3

A \_\_\_\_\_

B \_\_\_\_\_

C \_\_\_\_\_



TYPE 4

A \_\_\_\_\_

B \_\_\_\_\_

C \_\_\_\_\_

D \_\_\_\_\_

**Exceptions:** If you encounter manholes where the frame and chimney don't line up, (i.e. the frame and chimney are off-center), call us at 800-572-3119 or [www.lockdown-lockdry.com](http://www.lockdown-lockdry.com). We can customize to your particular need. If your manhole cover has a reinforcing ring on the underside, please let us know.